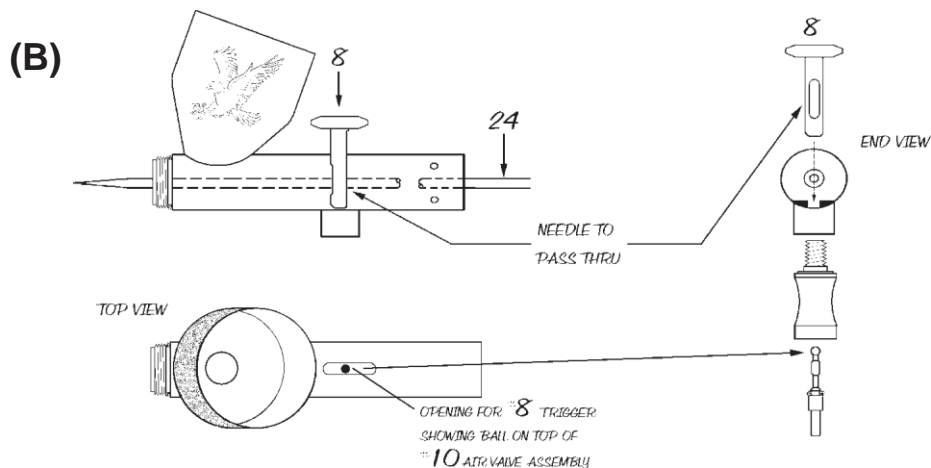
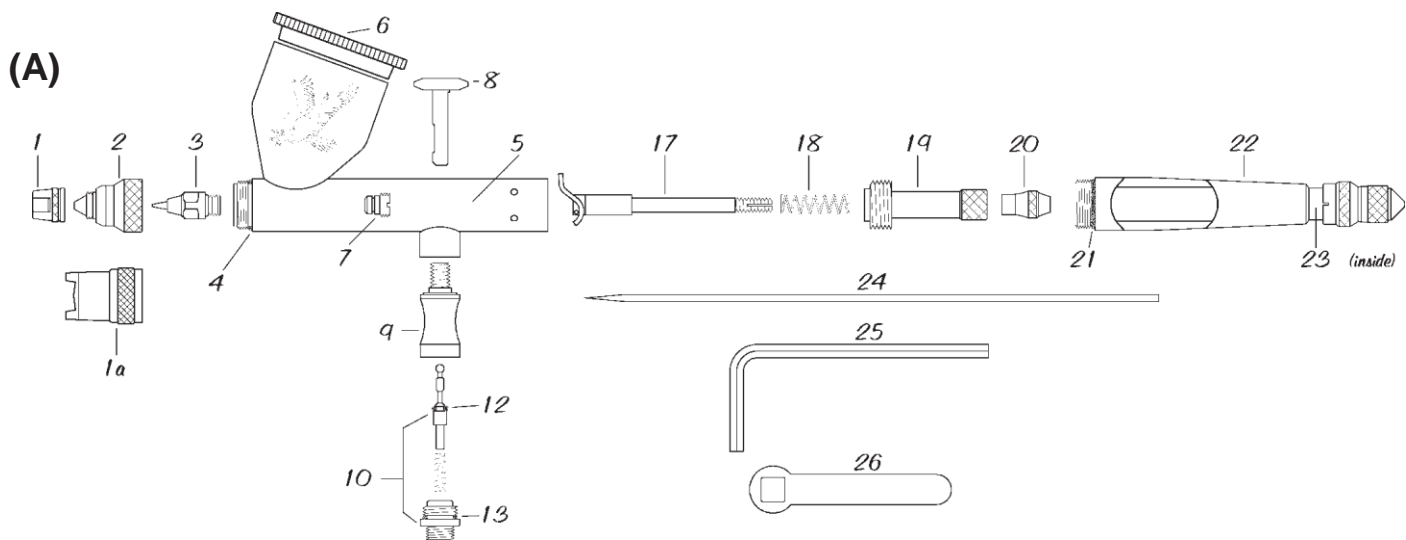


Paasche® TG Gravity Feed, Double Action Airbrush



NO.	PART	DESCRIPTION	NO.	PART	DESCRIPTION
1.	TAL-23	Crown Cap	13.	TAL-22	"O" Ring
1a.	TAF-3	Fan Aircap for .66mm head - (uses TT-3 and TN-3)	17.	TAL-18	Rocker Assembly
2.	TA-1 , TA-2 , TA-3	Aircap (.25mm, .38mm, .66mm)	18.	MIL-11	Needle Spring
3.	TT-1 , TT-2 , TT-3	Tip (.25mm, .38mm, .66mm)	19.	TAL-17	Spring Housing
4.	MIL-12	"O" Ring for TG-30 Shell	20.	TAL-19	Needle Lock Nut
5.	TG-30	Shell Assembly	21.	MIL-12	"O" Ring for TG-34 Handle
6.	TG-4	Cup Cover	22.	TAL-34	Handle & Stop Assembly
7.	TAL-8	Packing Assembly PTFE	23.	3A-4	"O" Ring
8.	TAL-37	Trigger	24.	TN-1 , TN-2 , TN-3	Needle (.25mm, .38mm, .66mm)
9.	TAL-14	Valve Casing	25.	TAL-35	Allen Wrench
10.	TAL-32	Air Valve Assembly	26.	TAL-28	Wrench
12.	TAL-26	"O" Ring			